
GLASS BLOCK MORTAR MIX

- For installing all types of glass block
- Water-resistant
- Resists cracking and powdering
- For new installations or repairs

PRODUCT DESCRIPTION

Glass Block Mortar Mix is a pre-mixed blend for quick and easy installation of glass blocks. Great for new installations or to repair old mortar joints. Its flexible, high strength formula resists shock, cracking and powdering and is highly water-resistant. Eliminates the need for guesswork and measuring of on-site mixes.

USES

- Installation of all types of glass block
- Repair of mortar joints

SURFACE PREPARATION

All framing, pocket recesses or chases must be accurately placed, complete, properly dimensioned and clean to receive glass blocks. Wipe edges of glass blocks to ensure a proper bond. Markings should be made to indicate where anchors and reinforcing are to be placed. Anchors should be bent for proper fit and cut to the proper length. Reinforcing should extend the entire length of the installation. Where two or more reinforcing bars are needed in one joint, overlap the reinforcing a minimum of 6" (15 cm). Using a water-based asphalt emulsion, bond the expansion strips to the sides and top of framing. Strips should cover the entire length and width of top and sides of framing. Allow to dry overnight.

ACCESSORIES FOR INSTALLING GLASS BLOCK

1. **Glass Block Anchors** – for securing glass block installation to walls. Place in the same joint as reinforcing or rebar. Should extend a minimum of 12" (30 cm) into the joint. Set every 24" (61 cm) vertically.
2. **Expansion Strips** – act as expansion joints where glass blocks come into contact with framing.
3. **Glass Block Reinforcing or Rebar** – to strengthen glass block installations. Placed in the same joint as anchors. Set every 24" (61 cm) vertically.

4. **Glass Block Spacers** – plastic or galvanized steel. Plastic spacers give accurate spacing of joints vertically and horizontally. Galvanized steel spacers are for horizontal joints. Tile spacers must be used with this product.

MIXING

Thoroughly mix 11 pints (5.2 L) of clean, cool water and 50 lbs. (22.68 kg) of Glass Block Mortar to a stiff, non-slump consistency. For added water resistance and greater adhesion, mix with 6 pints of Acrylic Mortar Admix and 5 pints of water. Mix by hand or use a low speed (150 - 200 RPM) 1/2" (13 mm) drill. Let slake or stand 5 - 10 minutes, stir again and use. Stir occasionally to keep fluffy, but do not add more water or additive.

APPLICATION

Place a full bed of mortar on the base or sill. Do not furrow. Set first course of glass blocks and tap into place with a rubber mallet. Do not use steel tools for adjustments on glass blocks. Do not place mortar between glass blocks and expansion strips. Set each course of glass blocks in a full bed of mortar and rake or tool joint to a uniform appearance as work progresses. Refer to illustrations on next page. Anchors and reinforcing are placed in the same joint every 24" (61 cm) vertically. Anchors are to be securely fastened through the expansion strip and into the framing. Bend the anchor to fit into the horizontal joints. Apply half the thickness of the mortar bed and embed reinforcing and fastened anchor. Apply the second half of the mortar and set the next course of glass blocks. Reinforcing should not continue through or bridge vertical expansion joints. Rake or tool joints before mortar hardens. Pot life is approximately 2 hours.

CURING

Allow to cure for 24 hours depending upon temperature and humidity. A 72 hour damp cure is recommended.



CUSTOM[®]
BUILDING PRODUCTS

COVERAGE

6" (15 cm) Blocks – 46 blocks/50 lb. (22.68 kg);

4.3 ft³ of mortar/100 sq. ft. (13 dm³/1 m²)

8" (20 cm) Blocks – 35 blocks/50 lb. (22.68 kg);

3.2 ft³ of mortar/100 sq. ft. (9.7 dm³/1 m²)

12" (30 cm) Blocks – 23 blocks/50 lb. (22.68 kg);

2.2 ft³ of mortar/100 sq. ft. (6.7 dm³/1 m²)

CLEAN-UP

Remove all excess mortar from surface of glass blocks before mortar hardens, using a damp sponge or cheese cloth.

Approximately 15 minutes after cleaning, polish off haze with clean, dry cloth. Clean tools with water before mortar dries.

STORAGE

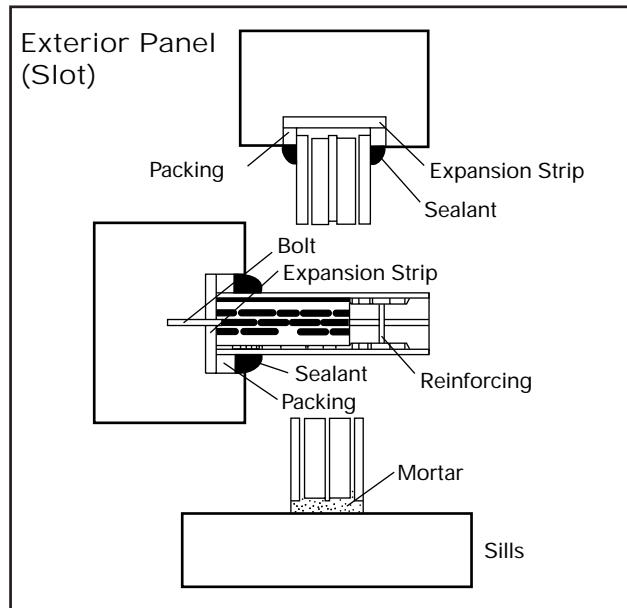
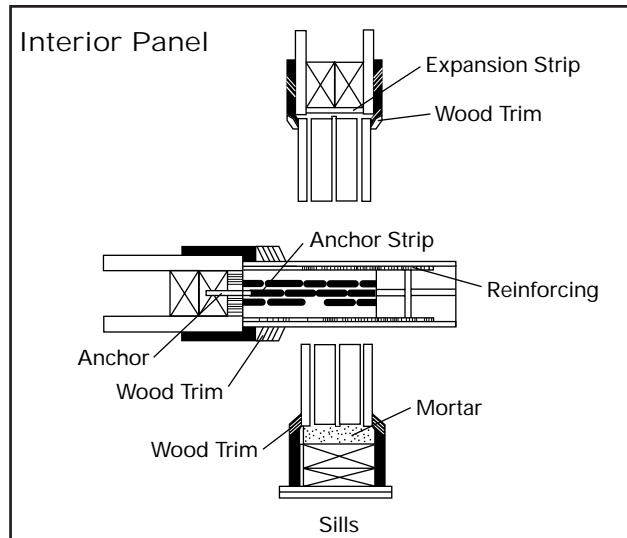
Store in a cool dry area.

SAFETY

Contains Portland cement. Avoid eye contact or prolonged contact with skin. Wash thoroughly after handling. If eye contact occurs, flush with water for 15 minutes and consult a physician. This product contains free silica. Do not breathe dust; wear NIOSH approved respirator.

ORDERING INFORMATION

ITEM CODE	SIZE	COLOR	PACKAGE
GBMM50	50 lb. (22.68 kg)	White	Bag



CUSTOM
BUILDING PRODUCTS